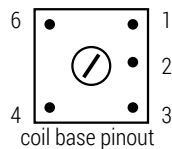
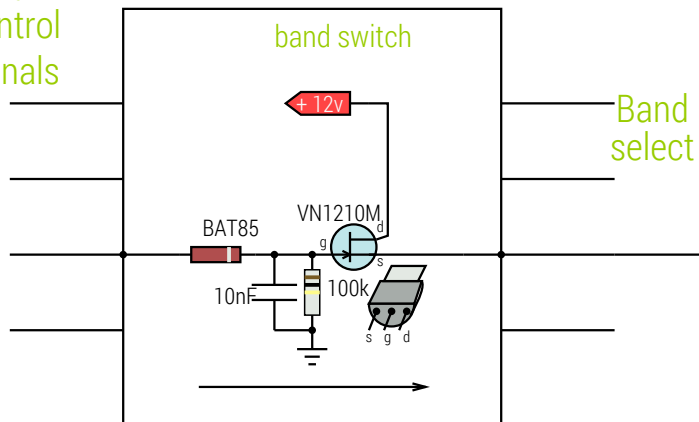


Teensy 3v3
Control
signals

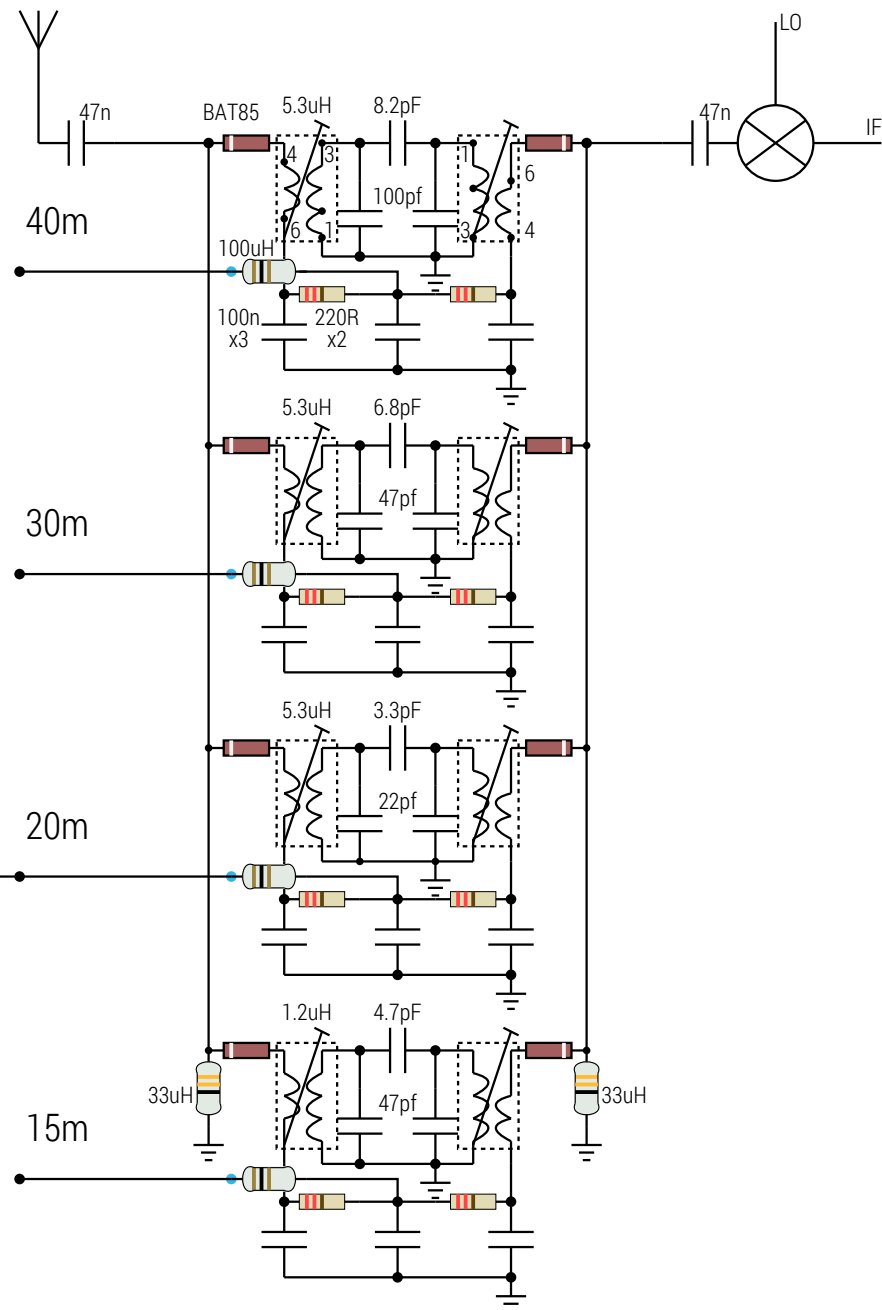


all resistors 220R
all capacitors 100nF unless noted
all diodes BAT85
all chokes 100uH
all coils available from GQRP club
or Spectrum communications UK

Other Bands

	L1-L2	C1-C3	C2
160	45uH	150pF	12pF
80	45uH	39pF	3.3pF
17	1.2uH	68pF	6.8pF
12	1.2uH	33pF	3.3pF
10	1.2uH	22pF	3.3pF

Original filter components from
Filter Handbook : A Practical Design Guide
by Stefan Niewiadomski



Drawn by
ZL4SAE

Diode Switched
Bandpass filters

Created with
SCHEMATIC for Android

August 2017
Ver 2.0