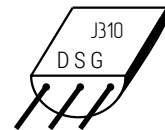
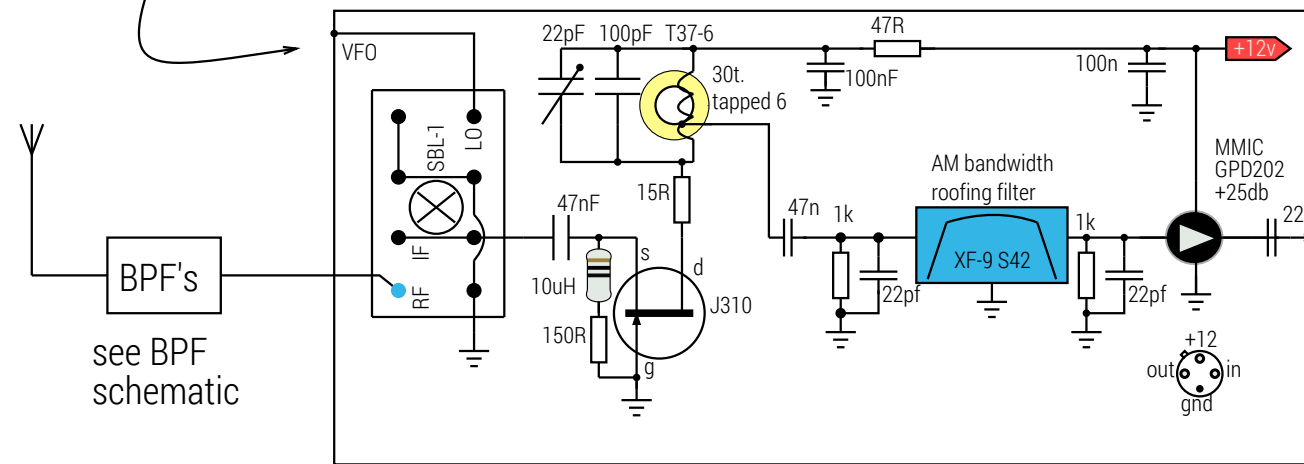


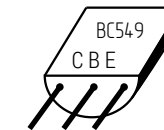
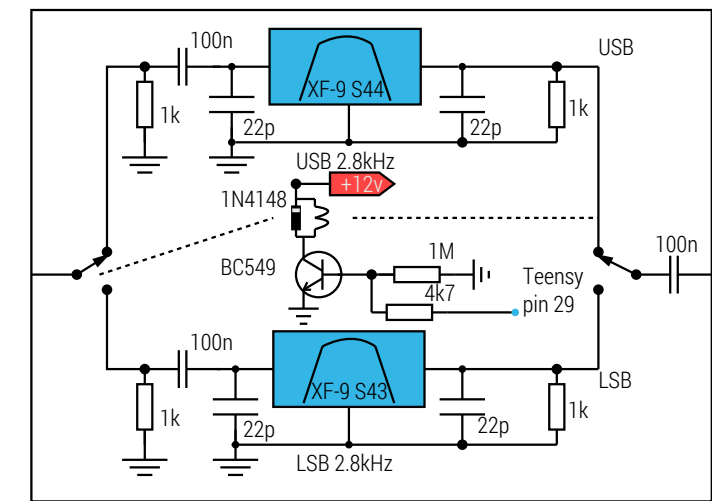
see Digital VFO schematic

mixer, post mixer amplifier +10db
6kHz roofing filter

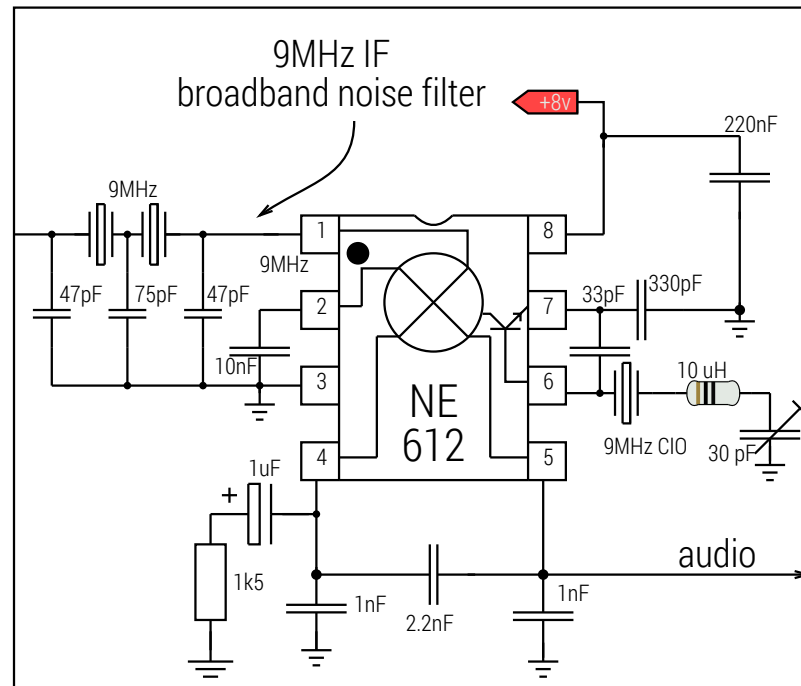
+25db I/F amplifier



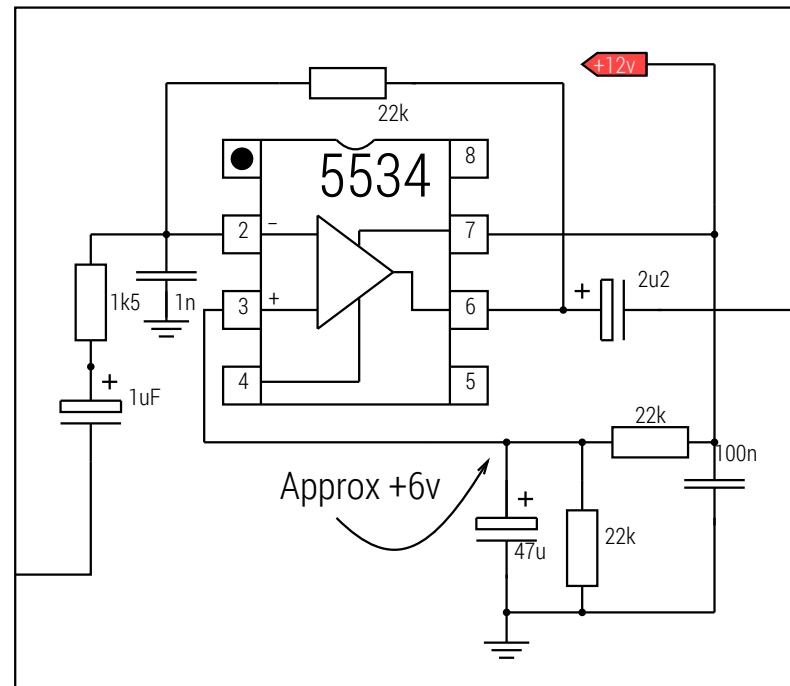
9MHz I/F Sideband Filters



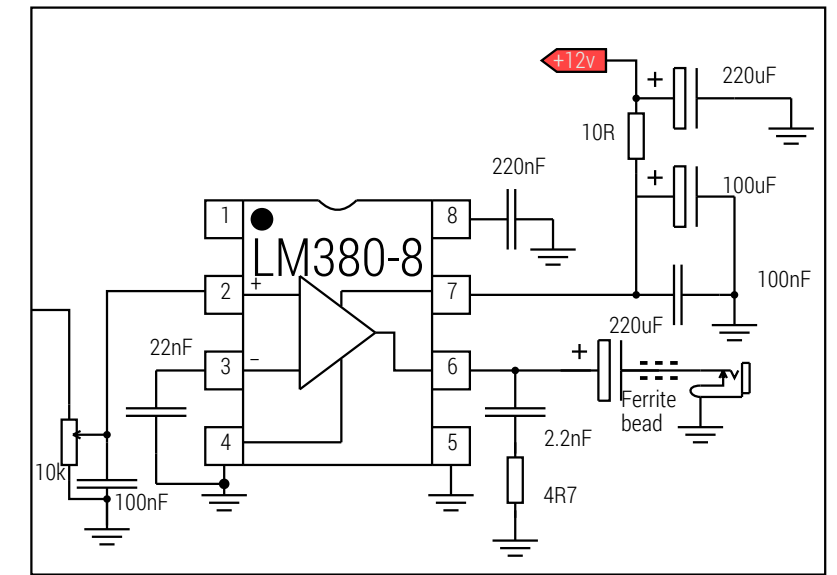
noise filter
product detector. +15db



Audio
Pre-amp +23db



audio amplifier +34db



Key functions

- 2 Band Up
- 8 Band Down
- 6 Scan Up
- 4 Scan Down

TO DO

- * Preamp On/Off
- # Att On/Off

0 USB/LSB Note. Mode normally follows band selected. This allows LSB on 20m for example.

Drawn by ZL4SAE	Mini Superhet
Created with SCHEMATIC for Android	May 2018 Ver 3.0